

# Specification sheet LX 875

## Roof drainage systems

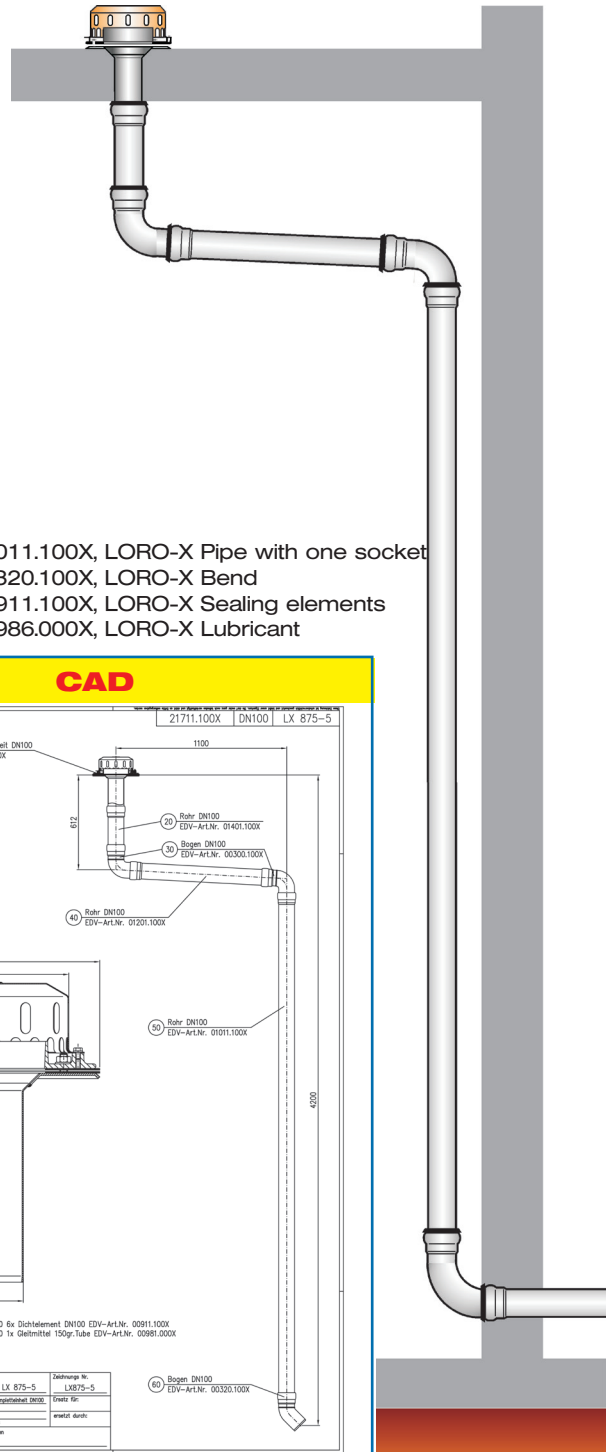
### Series 84 DRAINLET®

#### Emergency drainage

#### Gravity flow

#### Silent Power

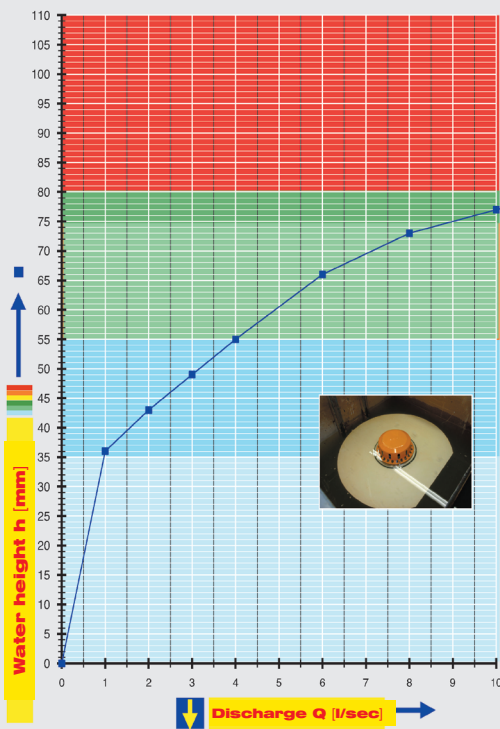
<b>Discharge rate:</b>	<b>9,0 l/sec</b>
<b>Water height:</b>	<b>75 mm</b>
<b>Roof penetration:</b>	<b>-</b>
<b>Diameter:</b>	<b>DN 100</b>
<b>LX-Number:</b>	<b>LX 875</b>
<b>Weir height:</b>	<b>35 mm</b>
<b>Drain:</b>	<b>ventilated</b>
<b>Downpipe:</b>	<b>not ventilated</b>
<b>Downpipe height:</b>	<b>4,2 m</b>
<b>Drainage:</b>	<b>on floor</b>



#### LX 875 Piece list

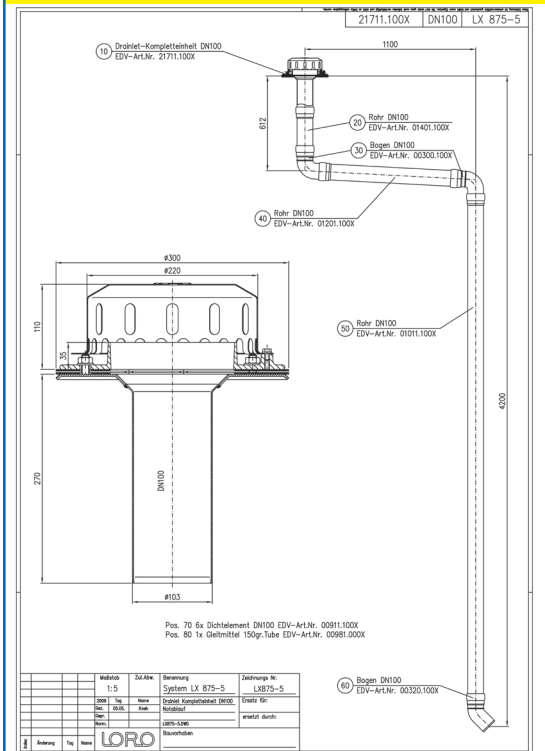
- 1 x Art.-No. choose drain on page two!**
- 1 x Art.-No. 01401.100X, LORO-X Pipe with one socket
  - 2 x Art.-No. 00300.100X, LORO-X Bend
  - 1 x Art.-No. 01201.100X, LORO-X Pipe with one socket
  - 1 x Art.-No. 01011.100X, LORO-X Pipe with one socket
  - 1 x Art.-No. 00320.100X, LORO-X Bend
  - 6 x Art.-No. 00911.100X, LORO-X Sealing elements
  - 1 x Art.-No. 00986.000X, LORO-X Lubricant

#### hQ - Head Discharge curve



#### Systempower

#### CAD



#### Systemshape

<b>Water height</b>	mm	5	10	15	20	25	30	35	40	45	50	55	60	65	70	75
<b>Discharge</b>	l/sec								1,4	2,2	3,2	4,1	4,7	5,6	7	9
<b>Silent Power</b>																

Choose drain for piece list on page one!

DN 100

without insulation

**LX875-5X**

Drain Art.-No. 21711.100X

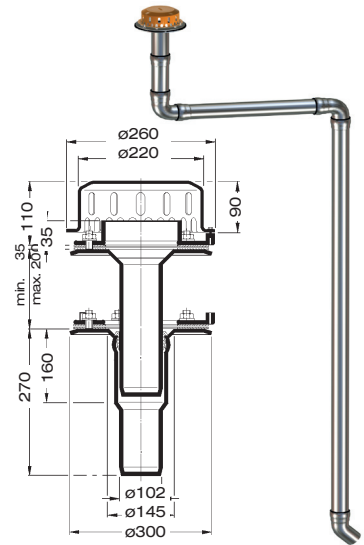
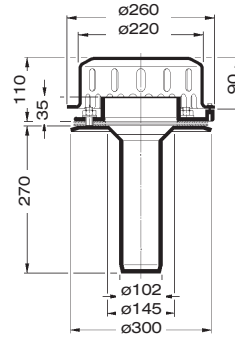
with clamping flange  
one-piece



**LX875-6X**

Drain Art.-No. 21721.100X

with clamping flange  
two-piece



with insulation

**LX875-7X**

Drain Art.-No. 21712.100X

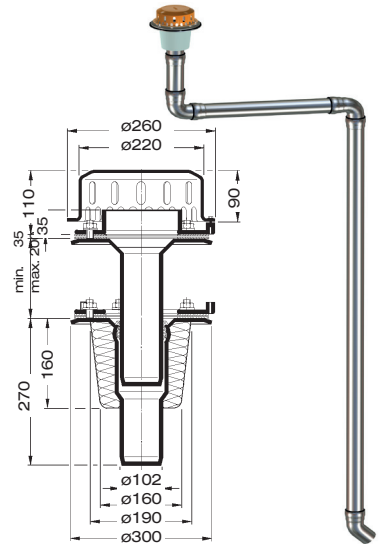
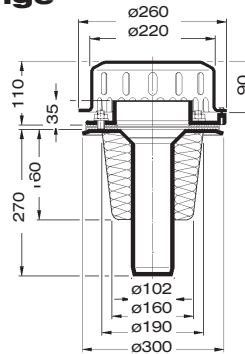
with clamping flange  
one-piece



**LX875-8X**

Drain Art.-No. 21722.100X

with clamping flange  
two-piece



with insulation and heating

**LX875-9X**

Ablauf Art.-Nr. 21713.100X

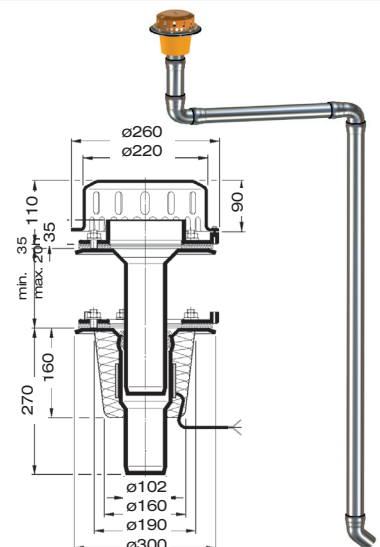
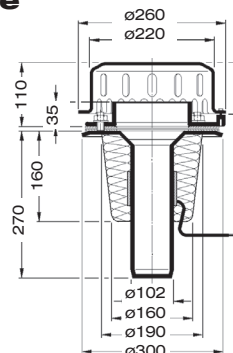
with clamping flange  
one-piece



**LX875-10X**

Ablauf Art.-Nr. 21723.100X

with clamping flange  
two-piece



**Heat tracing:** Lorowerk recommends to check all drains and pipes with regard to their frost-sensibility. Where necessary, these parts should be upgraded with heat tracing.